

Features

- Universal input 100-240VAC
- Direct Australia Fixed Plugtop Adapters
- Approved to UKCA, CE, RoHS & REACH
- EN/IEC 62368-1 Safety Approved
- Meets Efficiency Level VI & (EU) 2019/1782
- FCC Class B Certified
- Single Output 4.5 – 24V DC
- OVP, OCP, OTP, SCP



Ideal Power's 15DYS806-xyS-1 7.5W AC/DC External Adapter US Plugtop Power Supply (PSU) Series are certified to cULus, FCC, REACH & IEC/UL 62368-1 Standards and comply with (EU) 2019/1782, Level VI Efficiency Regulations. These are primarily used in ITE, Audio & Video Industries and customised solutions are available upon request.

Models

Model Number	Output Voltage	Output Current	Output Power
15DYS806-050150S-1	5VDC	1.5A	7.5W
15DYS806-060125S-1	6VDC	1.25A	7.5W
15DYS806-075100S-1	7.5VDC	1A	7.5W
15DYS806-090083S-1	9VDC	0.83A	7.5W
15DYS806-120062S-1	12VDC	0.62A	7.5W

Input Data

	Min	Typical	Max	Units	Notes
Input Voltage	90	--	264	V AC	100-240VAC +/- 10%
Input Frequency	47	--	63	Hz	50-60Hz +/- 5%
Input Current	--	0.3	--	A	
Inrush Current	0	--	60	A	At cold start, 100 / 240V AC
Leakage Current	--	--	0.25	mA	

Output Data

	Min	Typical	Max	Units	Notes
Output Voltage	--	5	--	%	
Ripple & Noise					≤150mV
Over Current Protection					Typically, 115-135% of Rated Current
Short Circuit Protection					Continuous short circuit proof. Will recover if fault condition is removed
Over Voltage Protection					Will recover if fault condition is removed

Environmental Data

	Min	Typical	Max	Units	Notes
Operating Temperature	0	--	+45	°C	10%RH to 90%RH
Storage Temperature	-20	--	+80	°C	5%RH to 95%RH non-condensing

Other Information

	Min	Typical	Max	Units	Notes
MTBF	--	50,000	--	hrs	At 80% load and 25°C
Weight					200 +/-10g
Dimensions					Refer to mechanical drawings
Dielectric Strength					Primary to Secondary: 4242VDC or 3000VAC / 5mA _{Max} / 60second (3 seconds for mass production)

EMC Emissions (2014/30/EU)

	Standard	Test Level	Criteria	Notes
Conducted	EN 55032	Pass	B	EMC Directive 2014/30/EU
Radiated	EN 55032	Pass	B	
Harmonic Standard	EN 61000-3-2	N/A	A	
Voltage Fluctuation and Flicker	EN61000-3-3	Pass		

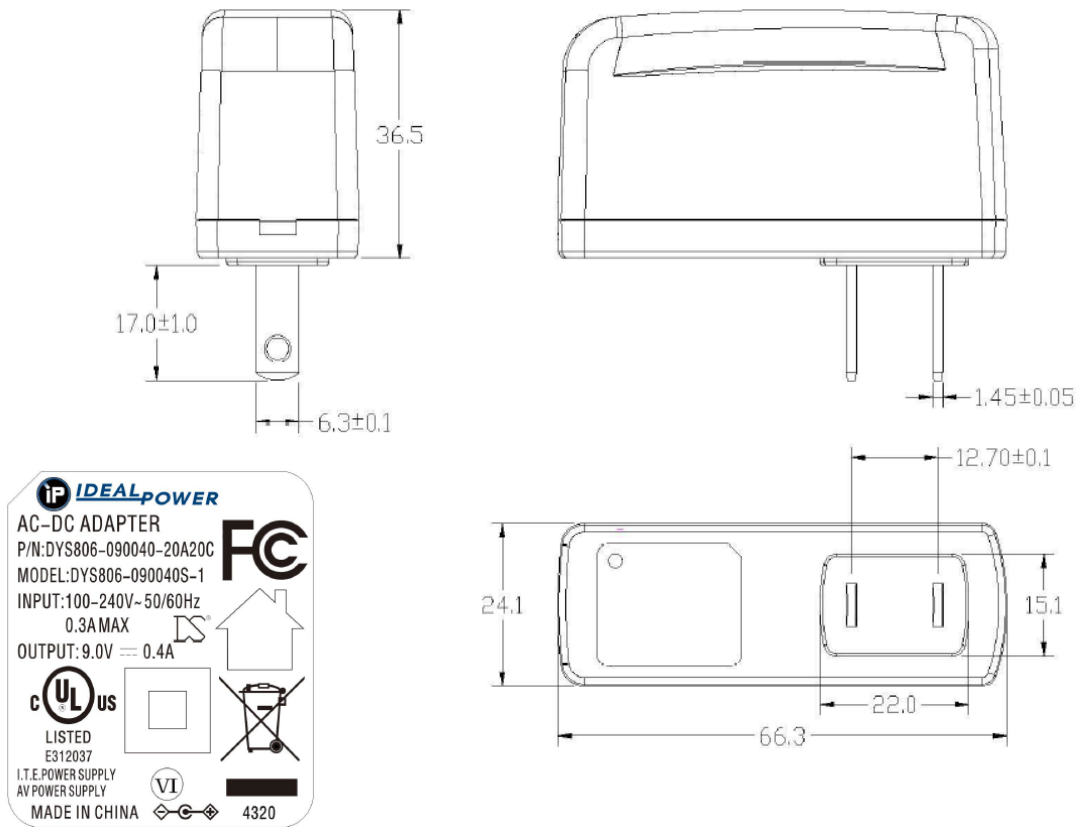
EMC Immunity (2014/30/EU)

Test Item	Standard	Test Method	Test Level	Result
Electrostatic Discharge Immunity (ESD)	EN 55035:2017	EN 61000-4-2:2009	Contract Air +4kV +8kv	Pass
Continuous RF electromagnet field Disturbance's immunity (80MHz to 5 GHz swept test and spot test)	EN 55035:2017	EN 61000-4-2:2006 +A1: 2008 +A2:2010	3V/m 80% 1kHz AM	Pass
Electrical Fast Transient (EFT) on AC	EN 55035:2017	EN 61000-4-2:2012	AC +1.0kV	Pass
Surge immunity on AC mains	EN 55035:2017	EN 61000-4-2:2014 +A1:2017	+1.0kV +2.0kV DM CM	Pass
Surge immunity on Signal port	EN 55035:2017	EN 61000-4-2:2014 +A1:2017	+1.0kV CM	N/A
Continuous induced RF disturbance (150Hz to 80MHz)	EN 55035:2017	EN 61000-4-6:2014	3Vrms (emf), 80%, 1kHz, Amp, Mod	Pass
Power Frequency / Magnetic Field	EN 55035:2017	N/A	50 HZ / 1A/m	N/A
Voltage dips and interruptions on AC	EN 55035:2017	EN 61000-4-11:2017	0%UT *for 0.5per 0%UT* for250per70%UT*for25per	Pass

Safety Approvals

	Safety Standards
RoHS/REACH	RoHS Directive (EU) 2015/863 & REACH (205 SVHC)
CE LVD Directive 2014/35/EU	(UK/European) – Only applicable for UK & EURO plugs.
cULus	Only applicable for US plug.
TUV	(German/European) – Only applicable for EURO plug.
RCM & C-Tick	Only applicable for Australian plug.

Mechanical Drawing



Cord Drawing

